

CHEVROLET SILVERADO

2020 CHASSIS CAB



4500HD

5500HD

6500HD






TECHNOLOGY

pp. 8-9


POWERTRAIN

pp. 4-5


INTERIOR

pp. 10-11


UPFIT

pp. 14-19


SPECS

pp. 22-23


SERVICEABILITY

pp. 6-7


USABILITY

pp. 12-13

**We're in the
front to back
productivity
business.**

 DURAMAX®
6.6L V8
Turbo-Diesel Engine

 ALLISON®
6-SPEED
Close-Ratio Automatic Transmission
w/Double Overdrive



PROVEN POWER

Getting the job done takes power, strength and dependability. That's why Silverado Chassis Cab is built with loads of all three. The Duramax 6.6L Turbo-Diesel V8 engine has been optimized to deliver brute strength and legendary reliability that lives up to the Duramax name. Putting power to the ground are a variety of Allison Transmission options suited to the needs of your business, each featuring durability you can depend on day in and day out. You built your business to be a powerhouse. We built a truck you can count on to make it happen.

Shown throughout with equipment from independent suppliers which is not covered by the GM New Vehicle Limited Warranty. GM is not responsible for the safety or quality of independent supplier alterations.



STANDARD

700 LB.-FT.

Torque @ 1600 RPM



STANDARD

350 HP

@ 2700 RPM



NO TIME FOR DOWNTIME

Keeping your trucks on the road is a crucial part of keeping your business on the road. The Silverado Chassis Cab was built with that in mind. From the design of the hood to the placement of vital components, everything is designed to make maintenance as painless as possible.



TILT FORWARD HOOD

Lightweight fiberglass tilt engine cover with integrated hand grips for easy access and a built-in lock to keep it securely open.



CONVENIENT DEF TANK

With the DEF tank located low, outside of the hood and away from the fuel tank, drivers can fill it easily and avoid confusion.



BATTERY BOX

Easy to reach battery box with available auxiliary jump-start stud located right below the driver side of the cab.



 WHEEL CUT
50°

Up to 50 degrees of wheel cut allows for easy access to the engine bay and can save time on maintenance.

A MORE CONNECTED CAB

Help keep your fleet connected and on top of their tasks thanks to the advanced connectivity and mobile office features available in the Silverado Chassis Cab that can help your drivers stay focused on the road ahead. With built-in telematics features integrated into the vehicle, your fleet can be equipped with the brains to match its brawn.



8" DIAGONAL TOUCH-SCREEN

Without handling their phones, drivers can access calls, alerts and notifications on the available Chevrolet Infotainment System¹ with 8-inch diagonal color touch-screen.

Apple CarPlay^{®2} & ANDROID AUTO™³

Seamless smartphone integration puts contacts, maps, messages and more at your drivers' fingertips with available Apple CarPlay and Android Auto compatibility.

WIRELESS CHARGING⁴

Drivers and crew can use and charge their devices without cords cluttering the cab anytime the vehicle is running, thanks to available wireless charging.

¹Functionality varies by model. Full functionality requires compatible Bluetooth and smartphone. Some devices require USB connectivity. ²Vehicle user interface is a product of Apple and its terms and privacy statements apply. Requires compatible iPhone and data plan rates apply. Apple CarPlay, Siri, iPhone and iTunes are trademarks of Apple Inc., registered in the U.S. and other countries. ³Vehicle user interface is a product of Google, and its terms and privacy statements apply. Requires the Android Auto app on Google Play and an Android compatible smartphone running Android™ 5.0 Lollipop or higher. Data plan rates apply. Android Auto is a trademark of Google LLC. ⁴The system wirelessly charges one PMA- or Qi-compatible mobile device. Some phones have built-in wireless charging technology and others require a special adaptor/back cover. To check for phone or other device compatibility, see my.chevrolet.com/learn or consult your carrier.



AUXILIARY SWITCHES

A total of 13* available conveniently located, factory-installed switches—with up to 10 customizable—can help reduce upfit time and costs.

*6 switches available late summer 2019.

110-VOLT OUTLET

Keep devices, tools and batteries fully charged with the available 110-volt outlet.



AVAILABLE HANDS-FREE
BLUETOOTH^{®5}

Hands-free calling and communication



AVAILABLE
4G LTE

Built-in Wi-Fi[®] Hotspot⁶



AVAILABLE REAR VISION
CAMERA⁷

Helps drivers safely navigate in Reverse

Shipped loose for upfitter installation.



ONSTAR^{®8}

Assist drivers during a crisis⁹, deliver Turn-by-Turn directions⁹ and team up with local law enforcement to help recover lost or stolen vehicles with the safety and security of available factory-installed OnStar hardware.

COMMERCIAL LINK^{™10}

Using the embedded OnStar[®] hardware, you can easily monitor your fleet's vital statistics such as speed, location, fuel levels and more with Commercial Link's available built-in telematics solutions.

⁵Go to <https://my.chevrolet.com/learnAbout/bluetooth> to find out which phones are compatible with the vehicle. ⁶Service varies with conditions and location. Requires active services and paid data plan offered by AT&T. See onstar.com for details and limitations. ⁷Safety or driver assistance features are no substitute for the driver's responsibility to operate the vehicle in a safe manner. The driver should remain attentive to traffic, surroundings and road conditions at all times. Visibility, weather, and road conditions may affect feature performance. Read the vehicle's Owner's Manual for more important feature limitations and information. ⁸See onstar.com for details and limitations. Services vary by model. Service plan required. ⁹Connected vehicle services vary by vehicle model and require working electrical system, cell reception and GPS signal. Requires active service plan. OnStar links to emergency services. See onstar.com for details and limitations. ¹⁰Available in select 2015 model year and newer GM vehicles (excludes Spark EV, Bolt EV, Volt, City Express Vans and Low Cab Forward Trucks). Requires active service plan. Fees, Services, and availability subject to change without notice. Applicable taxes not included. Does not include emergency or security services. See gmcommercialink.com for details and limitations. User terms apply.

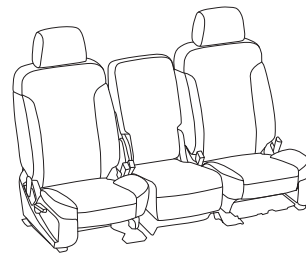
CREW COMFORTS

Building off of the comfort of the Silverado HD cab and interior, Silverado Chassis Cab is focused on making drivers and crew confident and comfortable while on the job. Available in either Regular Cab or Crew Cab with features such as easy-to-reach knobs, buttons and interfaces, inlaid doors, available Remote Start and an available center console featuring four USB ports¹, a 110-volt outlet and integrated file storage, Silverado Chassis Cab blends comfort with capability.

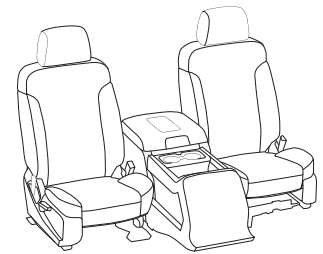


CROWD CONTROL

When the job calls for a bigger crew, Silverado Chassis Cab can move up to six people with its customizable interior featuring high-wear cloth seats and an available 10-way power driver seat.



40/20/40 BENCH SEAT



BUCKET SEATS

¹Not compatible with all devices.

STANDARD
6 AIRBAGS

Silverado Chassis Cab features frontal, seat-mounted side-impact and head-curtain airbags

SAFETY IS JOB NO. 1

In addition to single-stage frontal airbags for driver and outboard passenger, Silverado Chassis Cab offers seat-mounted side-impact airbags for driver and front outboard passenger as well as head-curtain airbags for outboard seating positions in both Regular Cab and Crew Cab configurations!

A NOTE ON CHILD SAFETY: Always use seat belts and the correct child restraint for your child's age and size, even with airbags. Even in vehicles equipped with the Passenger Sensing System, children are safer when properly secured in a rear seat in the appropriate infant, child or booster seat. Never place a rear-facing infant restraint in the front seat of any vehicle equipped with an active frontal airbag. See your vehicle Owner's Manual and child safety seat instructions for more safety information.

**AVAILABLE LOCKING
REAR DIFFERENTIAL**

Available locking rear differential* provides stability when vehicle is parked and aerial is in use.

*Available late summer 2019.





IN COMMAND

Silverado Chassis Cab is built to deliver productivity for your business and it's also built with your drivers in mind. An impressive turning radius combined with driver-focused design features means drivers can easily maneuver Silverado Chassis Cab's enormous muscle.

A. EXTERIOR MIRRORS

Two side mirror options including power-adjustable, heated trailering mirrors with integrated turn signals to help monitor wide loads.

B. ASSIST STEPS

Standard self-cleaning assist steps available in black steel or aluminum can help your drivers and crews easily access the cab.

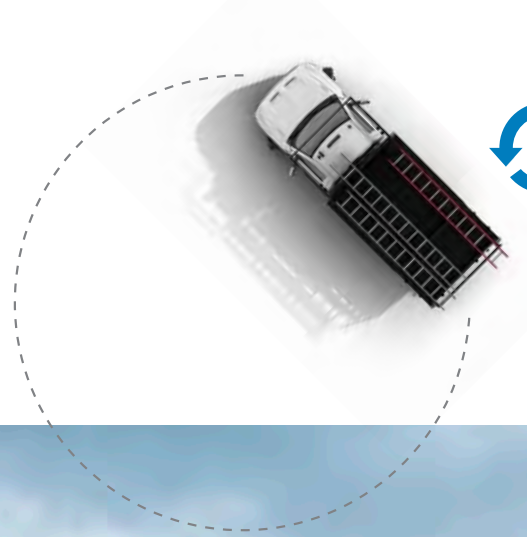
C. HOOD DESIGN

The downward sloping design of the hood gives drivers an elevated perspective to help with visibility on the road and the job site.



MANEUVER WITH CONTROL

A wheel cut of up to 50 degrees, available locking rear differential and an optional front stabilizer bar gives Silverado Chassis Cab handling and traction that matches its extraordinary strength.



TURNING DIAMETER
41.2 FT.*

*2020 Chevrolet Silverado
Medium Duty Regular Cab
2WD with 141 inch
wheelbase.





7
CAB-TO-AXLE
Options

10
WHEELBASE
Options

5
**AXLE-TO-END-
OF-FRAME**
Options

STRENGTH YOU CAN BUILD ON

With a frame engineered and tested specifically for medium-duty use, Silverado Chassis Cab features a solid straight-frame design with a clean back of cab that can make the upfit process simple and efficient. When combined with a variety of wheelbase, axle and cab-to-axle options, Silverado Chassis Cab can be tailored to whatever work you put in front of it.



ADDED DURABILITY

Huck® bolt fasteners provide superior durability, while a class-exclusive frame assembly and paint process offer an extra level of protection from corrosion.

FLEXIBLE

A variety of exhaust routing options and through-the-frame fuel fill, as well as multiple fuel tank configurations, accommodate the needs of virtually any upfit.

CLEAN TOP OF FRAME

Single-piece frame rails with no welds or brackets and a clean top of rail allow for optimized upfit integration.



MAX GVWR¹
23,500 LBS.



MAX PAYLOAD²
15,940 LBS.

¹Gross Vehicle Weight Rating (GVWR). When properly equipped; includes weight of vehicle, passengers, cargo and equipment. ²These maximum payload ratings are intended for comparison purposes only. Before you buy a vehicle or use it to haul people or cargo, carefully review the Vehicle Loading section of the Owner's Manual and check the carrying capacity of your specific vehicle on the label on the inside of the driver door jamb.

SMOOTH THINGS OVER

For vehicles that require a more compliant ride, an available factory-installed rear air suspension creates a smoother ride for drivers, crew and cargo while also giving Silverado Chassis Cab the ability to adjust rear load height for easy loading and unloading.



AVAILABLE EMERGENCY SERVICE PACKAGE

Emergency Service Package with dual alternators, upfitter box switch bank, exhaust brake, backup alarm and end of cab wiring provisions. An available high-idle switch provides power for auxiliary equipment while parked.



AVAILABLE FACTORY-INSTALLED REAR AIR SUSPENSION

With air compressor accessory drive.
Available with heated air dryer.



VERSATILE PLATFORM

The solid, straight-frame design with a variety of wheelbase and axle-to-end-of-frame options enables Silverado Chassis Cab to accommodate upfits up to 24' in length, making it ideal for rollback upfits.



AVAILABLE SNOW PLOW PACKAGE

Snow Plow Prep Package with auxiliary harness for headlamps and turn signals, factory-installed mounting locations built into the frame, 220-amp alternator, and provision for cab roof mounted lamp/beacon.

BUILT FOR THE EXTREMES

Validated in extreme heat and bitter cold, Silverado Chassis Cab can be configured for use in the harshest environments. The available PTO gives your fleet the capability to power auxiliary equipment while the available trailer brake controller and standard heavy-duty 4-channel ABS brake system help drivers maintain control while towing heavy cargo. When getting to the job site is the hardest part of the job, features such as traction control, 4-wheel drive, transfer case skid plate, available limited slip rear differential and recovery hooks¹ can help your crews get the job done.

¹To avoid the risk of injury, never use Recovery Hooks to tow a vehicle. For more information, see the Recovery Hooks section of your Owner's Manual.

ENDLESS POSSIBILITIES

From dump trucks to rollbacks and snow plows to ambulance bodies, Silverado Chassis Cab is the ideal platform for whatever your fleet is counting on to finish the job.



ROLLBACK



BUCKET



DUMP BODY



STAKE BODY



SERVICE BODY



AMBULANCE



CONTRACTOR BODY



KUV



BOX



PLOW & SPREADER

Shown with equipment from independent suppliers which is not covered by the GM New Vehicle Limited Warranty. GM is not responsible for the safety or quality of independent supplier alterations.



**FROM THE FAMILY OF THE
MOST DEPENDABLE,
LONGEST-LASTING FULL-SIZE
PICKUPS ON THE ROAD.¹**

¹Dependability based on longevity: 1987-July 2018 full-size pickup registrations.



Shown with equipment from independent suppliers which is not covered by the GM New Vehicle Limited Warranty. GM is not responsible for the safety or quality of independent supplier alterations.

SPECS

FEATURES

	WT	LT
Air Conditioning, Single Zone	S	S
4.2" Color Display	S	N/A
7" Diagonal Color Display ¹	A	N/A
8" Diagonal Color Display ¹	N/A	S
Navigation ²	N/A	A
USB Port	S	S
SiriusXM® Satellite Radio ³	A	S
Bluetooth ⁴	A	S
Cruise Control	S	S
Power Door Locks	S	S
Interior Remote Keyless Entry	A	S
OnStar ⁵	A	S
4G LTE Wi-Fi ⁶	A	A
Rear Vision Camera ⁷	A	A
40/20/40 Vinyl Front Seat	S	N/A
40/20/40 Cloth Front Seat	A	S
Bucket Seats	N/A	A
Heated Seats	N/A	A
Leather-Wrapped Steering Wheel	N/A	S
Steering Wheel Audio Controls	N/A	S
Remote Start	N/A	A
Exterior Black Front Bumper	S	S
Exterior Chrome Front Bumper	A	A
Exterior Black Door Handles	S	S
Exterior Chrome Door Handles	A	A
Exterior Fog Lamps	A	A
Exterior Black Grille	S	S
Exterior Chrome Grille	A	A
Exterior Manual-Folding Mirrors	S	S
Exterior Heated Power-Adjustable Mirrors	A	S
Exterior Chrome Mirror Caps	A	A
Exterior Black 19.5" Steel Wheels	S	S
Exterior Aluminum 19.5" Wheels	A	A

STANDARD FEATURES

Duramax 6.6L Turbo-Diesel Engine
Allison Transmission
Airbags ⁸
150-Amp Alternator
Batteries, Heavy-Duty Dual 1100 CCA
Heavy-Duty Hydraulic Brakes
Rear-Mounted 40-Gallon Fuel Tank
16,500 lbs. GVWR
4.10 Rear Axle Ratio (2WD)
4.30 Rear Axle Ratio (4WD)
141" Wheelbase (2WD Reg Cab), 60" CA
165" Wheelbase (4WD Reg Cab), 84" CA
175" Wheelbase (Crew Cab), 60" CA
49" Axle-to-End-of-Frame Length
7,000 lb. Front Axle (2WD)
7,500 lb. Front Axle (4WD)
7,000 lb. Front Suspension (2WD)
7,500 lb. Front Suspension (4WD)
10,000 lb. Rear Axle (2WD)
11,000 lb. Rear Axle (4WD)
11,000 lb. Rear Suspension
Grille Guard Screen (Insect Protection)

A - Available
N/A - Not Available
S - Standard

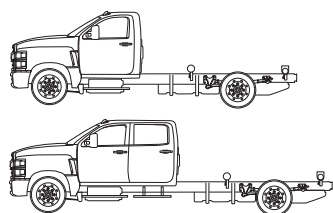
OTHER KEY AVAILABLE FEATURES

Locking Rear Differential
Limited Slip Rear Differential
Air Compressor Accessory Drive
Air Dryer, Heated
220-Amp Alternator
Dual Alternators 150-Amp and 220-Amp
Batteries, Dual 1300 CCA
Batteries, Triple 2250 CCA
Battery Jump-Start Stud
Exhaust Brake
Front-Mounted 25-Gallon Fuel Tank
Dual Front and Rear Fuel Tanks, 65-Gallon Total
Front Stabilizer Bar
Suspension Air Control Valve (2WD)
Trailer Brake Controller
Trailer Provisions/Wiring Harness
Power Take Off (PTO)
Transfer Case Skid Plate (4WD)
Engine Block Heater
Electrical Provisions Rear of Cab
Electrical Provisions Rear of Frame
Recovery Hooks ⁹
Color-Keyed Fender Extensions
Grille Guard Screen (Stone Protection)
Backup Alarm
Seat Belts, Orange Front Outboard
Seat Belts, Red Front Outboard

DRIVETRAIN OPTIONS

MODEL	STANDARD ENGINE	STANDARD HP @ RPM/LB.-FT. TORQUE @ RPM
SILVERADO MEDIUM-DUTY CHASSIS CAB	Duramax® 6.6L Turbo-Diesel V8	350 @ 2700/700 @ 1600

FRAME OPTIONS



CAB CONFIGURATION	CAB-TO-AXLE LENGTH/WHEELBASE – AVAILABLE AXLE-TO-END-OF-FRAME LENGTH (IN INCHES)			
	60"/141" (2WD) – 49" (2WD)	84"/165" – 49", 63"	108"/189" – 49", 63", 75"	120"/201" – 49", 63", 75"
SILVERADO REGULAR CAB CHASSIS CAB	138"/219" – 75"	150"/231" – 91"	162"/243" – 83"	
SILVERADO CREW CAB CHASSIS CAB	60"/175" – 49"	84"/199" – 49", 63"	120"/235" – 75"	

¹Functionality varies by model. Full functionality requires compatible Bluetooth smartphone and USB connectivity for some devices. ²Map coverage available in the United States, the U.S. Virgin Islands, Puerto Rico, and Canada. ³If you decide to continue service after your trial, your selected subscription plan will automatically renew thereafter. You will be charged at then-current rates. Fees and taxes apply. To cancel you must call SiriusXM at 1-866-635-2349. See SiriusXM Customer Agreement for complete terms at siriusxm.com. All fees and programming subject to change. ©2019 Sirius XM Radio Inc. All rights reserved. ⁴Go to <https://my.chevrolet.com/learnAbout/bluetooth> to find out which phones are compatible with the vehicle. ⁵See onstar.com for details and limitations. Services vary by model. Service plan required. ⁶Service varies with conditions and location. Requires active services and paid data plan offered by AT&T. See onstar.com for details and limitations. ⁷Read the vehicle's Owner's Manual for important safety and driver assistance feature limitations and information. ⁸A NOTE ON CHILD SAFETY: Always use seat belts and the correct child restraint for your child's age and size, even with airbags. Even in vehicles equipped with the Passenger Sensing System, children are safer when properly secured in a rear seat in the appropriate infant, child or booster seat. Never place a rear-facing infant restraint in the front seat of any vehicle equipped with an active frontal airbag. See your vehicle Owner's Manual and child safety seat instructions for more safety information. ⁹To avoid the risk of injury, never use Recovery Hooks to tow a vehicle. For more information, see the Recovery Hooks section of your Owner's Manual.

PAYLOAD & TRAILER WEIGHT RATINGS

MODEL	SERIES	AXLE RATIO	GVWR (LBS.) ¹⁰ /MAX PAYLOAD (LBS.) ¹¹
Silverado Regular Cab Chassis Cab 2WD	4500HD	4.1	15,000/7493 - 16,000/8493 - 16,500/8993
	5500HD	4.1	17,500/9993 - 18,000/10,493 - 19,500/11,933
	6500HD	4.1	21,500/13,940 - 22,500/14,940 - 23,500/15,940
Silverado Regular Cab Chassis Cab 4x4	4500HD	4.3	15,000/6829 - 16,000/7829 - 16,500/8329
	5500HD	4.3	17,500/9329 - 18,000/9829 - 19,500/11,269
	6500HD	4.3	21,500/13,186 - 23,000/14,776
Silverado Crew Cab Chassis Cab 2WD	4500HD	4.1	15,000/6749 - 16,000/7749 - 16,500/8249
	5500HD	4.1	17,500/9249 - 18,000/9749 - 19,500/11,196
	6500HD	4.1	21,500/13,196 - 22,500/14,196 - 23,500/15,196
Silverado Crew Cab Chassis Cab 4x4	4500HD	4.3	15,000/6186 - 16,000/7186 - 16,500/7686
	5500HD	4.3	17,500/8686 - 18,000/9186 - 19,500/10,693
	6500HD	4.3	21,000/12,693 - 23,000/14,193

GROSS COMBINED WEIGHT RATINGS¹²

GCWR MAX	26,000	30,000	34,000	35,000	37,000
Rear Axle Ratio	4.1	4.1			
Allison Transmission Series	1700/2700	1750/2750			
Rear Axle Capacity	10K - 15.5K	10K - 15.5K			
Rear Axle Ratio	4.3	4.3	4.3		
Allison Transmission Series	1700/2700	1750/2750	1750/2750		
Rear Axle Capacity	10K - 15.5K	10K - 13.5K	15K - 15.5K		
Rear Axle Ratio	4.56	4.56		4.56	
Allison Transmission Series	1700/2700	1750/2750		1750/2750	
Rear Axle Capacity	10K - 15.5K	10K - 13.5K		15K - 15.5K	
Rear Axle Ratio	4.88	4.88			4.88
Allison Transmission Series	1700/2700	1750/2750			1750/2750
Rear Axle Capacity	10K - 15.5K	10K - 13.5K			15K - 15.5K

AXLE RATIOS

4.10 Rear Axle Ratio (2WD)
4.30 Axle Ratio (Standard 4WD/Available 2WD)
4.56 Rear Axle Ratio (2WD)
4.88 Rear Axle Ratio (2WD)

FRONT AXLES

6,000 lb. Front Axle (2WD Reg Cab)
7,000 lb. Front Axle (2WD)
7,500 lb. Front Axle (4WD)
8,000 lb. Front Axle (2WD)

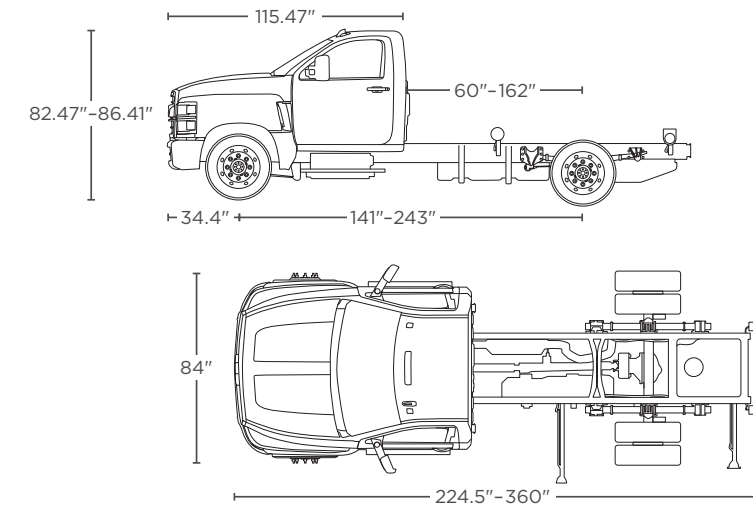
REAR AXLES

10,000 lb. Rear Axle
11,000 lb. Rear Axle
13,500 lb. Rear Axle
15,000 lb. Rear Axle
15,500 lb. Rear Axle

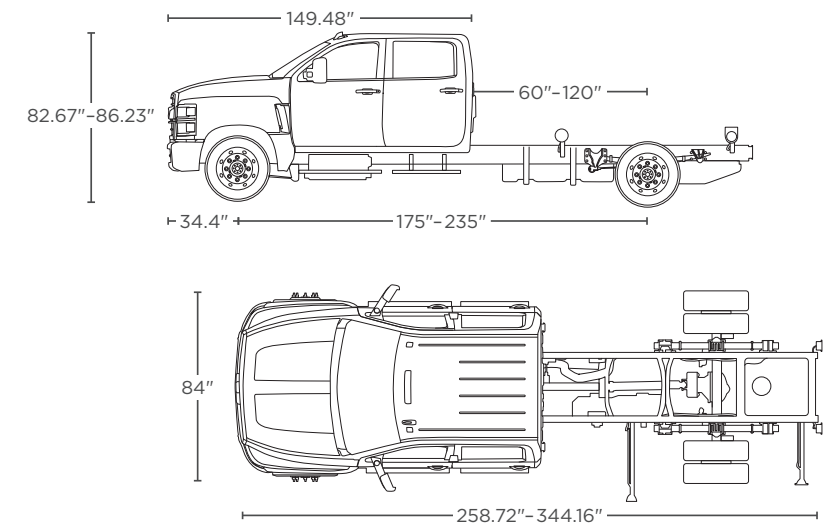
REAR SUSPENSIONS

11,000 lb. Rear Suspension
13,500 lb. Rear Suspension
15,500 lb. Rear Suspension
12,000 lb. Rear Air Suspension (2WD)
13,500 lb. Rear Air Suspension (2WD)
15,500 lb. Rear Air Suspension (2WD)

REGULAR CAB — SEATING FOR UP TO 3



CREW CAB — SEATING FOR UP TO 6



¹⁰Gross Vehicle Weight Rating (GVWR). When properly equipped; includes weight of vehicle, passengers, cargo and equipment. ¹¹These maximum payload ratings are intended for comparison purposes only. Before you buy a vehicle or use it to haul people or cargo, carefully review the Vehicle Loading section of the Owner's Manual and check the carrying capacity of your specific vehicle on the label on the inside of the driver door jamb.

¹²When properly equipped; includes weight of the vehicle and trailer combination, including the weight of driver, passengers, fuel, optional equipment and cargo in the vehicle and trailer.

TO LEARN MORE VISIT
gmfleet.com/chassiscab

FLEET SUPPORT

LIMITED WARRANTY

We stand behind every vehicle we offer with outstanding warranty coverage and exceptional customer service from our more than 300 dedicated fleet staff, because we don't succeed unless you do.

LIMITED ENGINE WARRANTY¹

5 YEARS / 100,000 MILES

For a qualified fleet.

LIMITED TRANSMISSION WARRANTY¹

UP TO 5 YEARS / UNLIMITED MILES

LIMITED CHASSIS WARRANTY

3 YEARS / 36,000 MILES

DEALER NETWORK

A nationwide Chevrolet medium duty dealer network ready to meet your fleet's needs with quality service and a full lineup of Chevrolet cars, trucks and SUVs.

FLEET ACTION CENTER

Dedicated Fleet Action Center with experts available to answer any questions or respond to any concerns with your fleet vehicles.

CALL
 **1.800.FLEETOP**

¹Whichever comes first. A Qualified Fleet User is defined as a company that has purchased and registered or leased five (5) or more new cars/or trucks solely for use in its operation during the current or preceding calendar year, model year, preceding twelve (12) month period, or that owns or leases fifteen (15) or more cars and trucks. Excludes rental customers. See dealer for details.



GENERAL MOTORS FLEET

